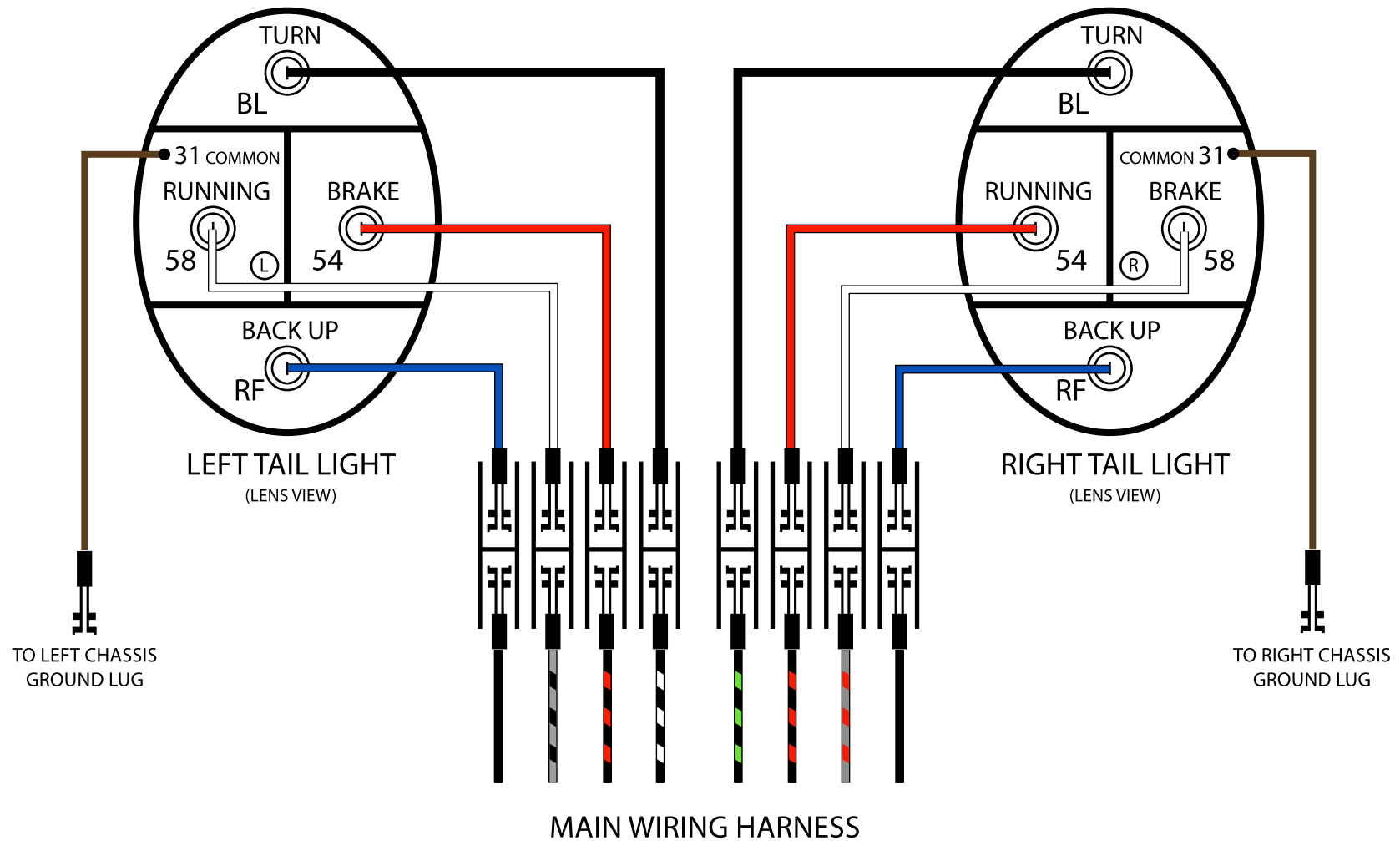


VW Model 181 Tail Light Wiring

April 1973 - NORTH AMERICAN VERSION



Some may wonder why the tail light wires change color so inexplicably in the engine compartment. The tail lights of VWoA (VW of America) 181s are higher on the car's body than their European-built counterparts. It has been suggested, probably correctly, that the short pigtail was added to the harness to make up for the distance from the lower European-style lights to the higher VWoA lights. Whether or not this is so, and why different wire colors were used, are questions that may remain forever shrouded in antiquity.